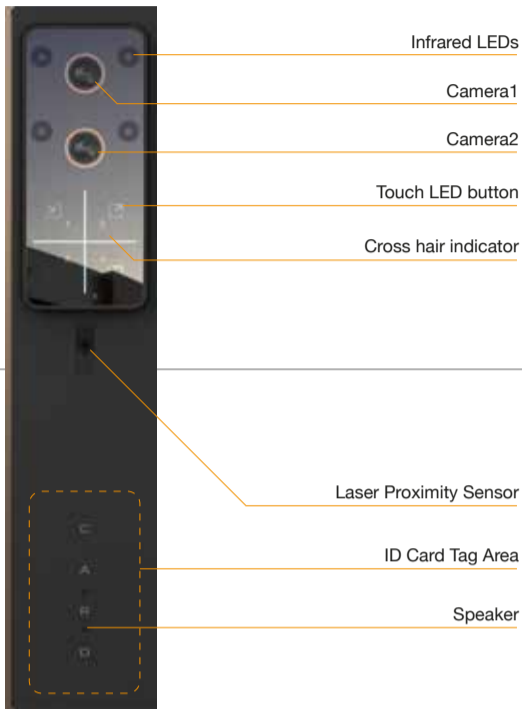


A.bc1

Installation Guide



Power A.bc1

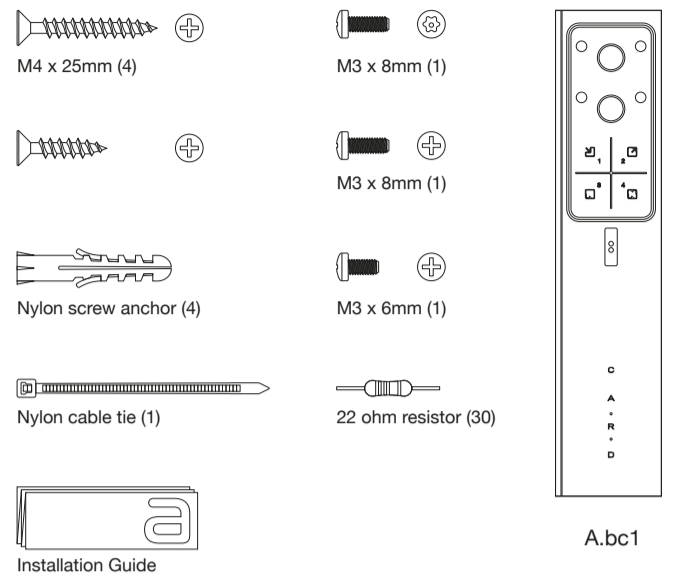
1. The cross hair of front window will be filled up.
2. A.bc1 will play booting sound.
3. The cross hair will keep deeming.
4. 4 touch buttons LED will be turned on when Proximity sensor detects something.
5. Tag ACC (ANDOPEN Card Credential) for testing it to be ready to work.
A.bc1 will play shutter sound and blinking the cross hair.

Supplied parts

- A.bc1 with mounting bracket (1) or A.bc-TS1 with two mounting brackets. (1)
- Installation Guide (1) ■ Pan head M3 x 8mm cross recessed machine screw (1)
- Alternative pan head M3 x 8mm anti-temper(hexalobular) machine screw (1)
- Pan head M3 x 6mm cross recessed machine screw (4) (only for A.bc-TS1, pre-screwed in)
- Flat head M4 x 15mm tapping screw (4), M4 x 25mm tapping screw (4)
- Nylon screw anchor for M4 x 25mm tapping screw (4)
- 22Ω resistor (30) ■ Nylon cable tie (1)

Recommended preparation (These are not supplied)

- Certified DC power supply ■ PoE switch or injector
- Cable, 2-8 conductor AWG22 UL certified (Power, Wiegand), 4 conductor Twisted Pair
- Over-All Shield (OSDP & RS-485), Belden 3107A or equivalent.
- Cat5e STP (PoE and Ethernet), Belden 1633ENH or equivalent (for PoE, AWG22 is recommended)
- Phillips screwdriver for M3 and M4 screws
- M3 hexalobular wrench for fastening terminal and mounting bracket
- Power Tool with various bits for mounting hardware



Specifications	A.bc1	A.bc-TS1	
INPUT VOLTAGE (DC)	7V ~ 24V	7V ~ 24V	
CURRENT (A)	STANDBY	0.65A ~ 0.22A (*0.45A)	0.67A ~ 0.23A (*0.46A)
	PEAK	1.43A ~ 0.45A (*0.9A)	1.48A ~ 0.5A (*1A)
PoE	Min. 802.3AT		
OPERATING TEMPERATURE	-10°C ~ 60°C		
FREQUENCY	WIFI: 2.4 ~ 5 GHz, RFID: 13.56MHz		
C-FORM RELAY INPUT	Max. 2A (220VDC)		
** FIRE SIGNAL INPUT VOLTAGE	Max. 32VDC		
*** EXTERNAL DC OUTPUT	Max. 5VDC, 0.1A		
INFRARED LIGHT	850nm, IEC-62471 Standard		
**** IP RATE	IP65		
INSTALLATION HEIGHT	• Appx. 156cm (Floor to upper Camera of A.bc1) • Appx. FOV 100°		
DIMENSION	• 50 X 40 X 230mm (A.bc1) • 50 X 45 X 275mm (A.bc-TS1)		

Note:

The A.bc1 does not have site code as default. It will read all kinds of ACC. For setting up site code or registering card No. to A.bc1, please visit www.andopen.co.kr and refer to the A.bc1/A.bc-TS1 USER GUIDE.

*: Current for 12VDC Input

** : Do not connect VDC Fire-Input to Wire No. 15. The VDC Fire-Input from the fire-panel should be connected to Wire No. 13

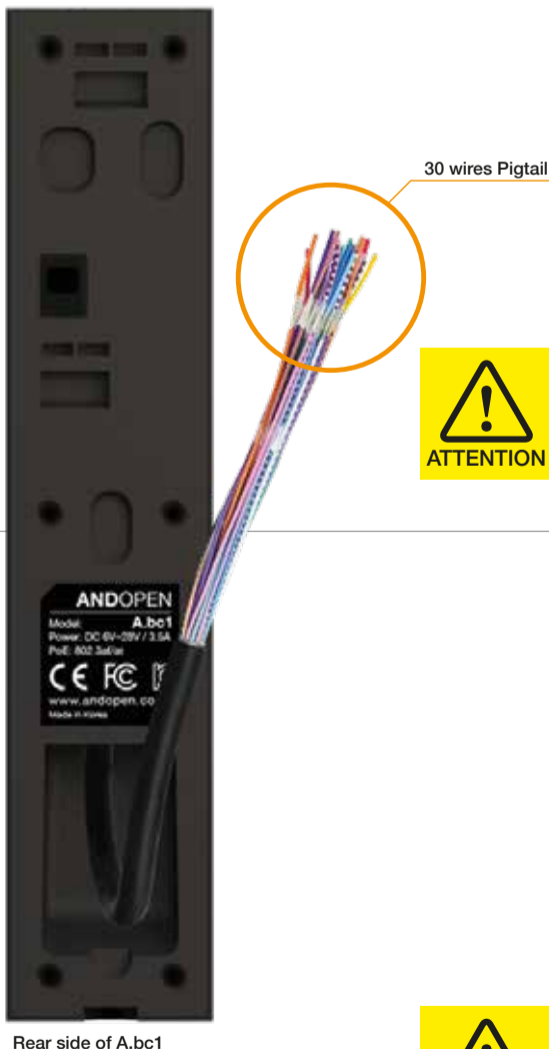
*** : Do not connect equipment that consumes more power than stated. For A.bc-TS1, this Wire No.29 is already occupied

**** : To ensure accuracy of temperature sensing, the outdoor installation of A.bc-TS1 is not recommended.

Note:

During installing A.bc-TS1, be careful to handle the wires those are connected the A.bc1 and the temperature sensing module

Biometrics Converged Access Control Terminal



Rear side of A.bc1

Wire Table

■ Before completing the wiring, keep the power off A.bc1, A.bc-TS1, and all other devices to be connected.

■ It is recommended to connect the provided resistor to each wire for stable communication, circuit protection, and improved connectivity with external devices.

Note:

- Wiring the terminal incorrectly may permanently damage the terminal.
- Recommend to use White (Wire No. 2) as GND for the communications.
- For the A.bc-TS1, Wire No. 7, 24, 26, and 29 is occupied to temperature sensing unit.
- Wire No.15 is for dry contact Fire Alarm Signal.

1 Blue	OSDP G1	16 Light Violet	Exit Button
2 White	GND (Signal)	17 Light Brown	Door Status2
3 Sky Blue	Wiegand IN D1	18 Violet	Release Fire alarm
4 Blue	OSDP G0	19 Light Brown	Door Status1
5 Green	Wiegand OUT D1	20 Gray	Hold Input
6 Sky Blue	Wiegand IN D0	21 Yellow	Relay NC
7 Black	GND	22 Brown	Tamper / Power fail
8 Green	Wiegand OUT D0	23 White	Relay COM
9 Red	VCC IN	24 Light Green	RS485 RX
10 Red	VCC IN	25 Yellow	Relay NO
11 Pink	Fire Alarm OUT	26 Light Green	RS485 TX
12 Black	GND	27 Orange	Service Required
13 Violet	Fire Alarm IN(DC)	28 Gray	GPO
14 Light Violet	RTE	29 Orange	VCC OUT 5V
15 Brown	Fire Alarm IN	30 Pink	GPIO

Mounting

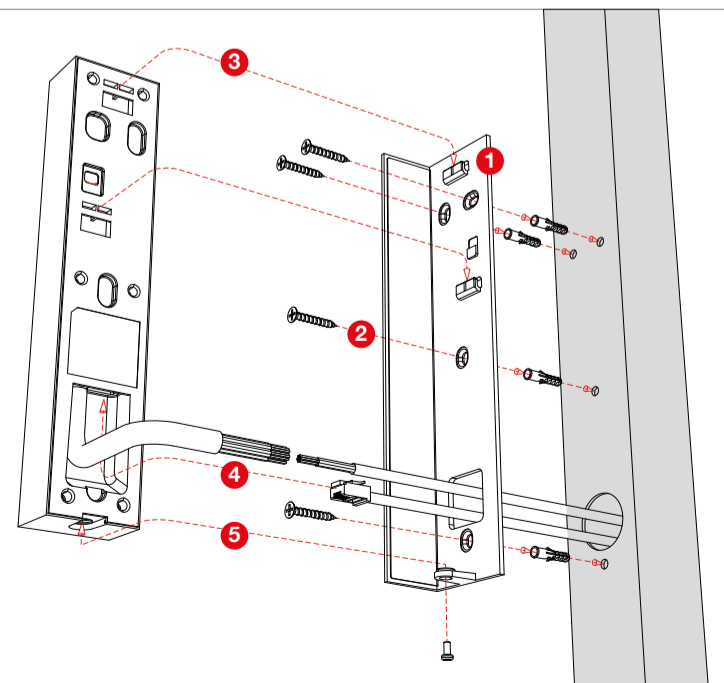
1. Dismantle A.bc1 from Mounting Bracket.
2. Fix Mounting Bracket to the surface using supplied screws.
3. Combine A.bc1 with mounting bracket.
4. If Ethernet(or PoE) connection is necessary, connect it prior to combine A.bc1 and Mounting Bracket.
5. Secure the A.bc1 to the Mounting Bracket using the supplied M3 screw.

CAUTION: Install the device on a stable and flat surface.

Otherwise, it may cause the IP rating compromise, impairment of recognition performance, or failure of tamper protection feature.

CAUTION: The Screwing with excessive force may cause damage of Mounting Bracket. And be careful to avoid that the pigtail wires are not stuck between A.bc1, Mounting Bracket, and the mounting surface.

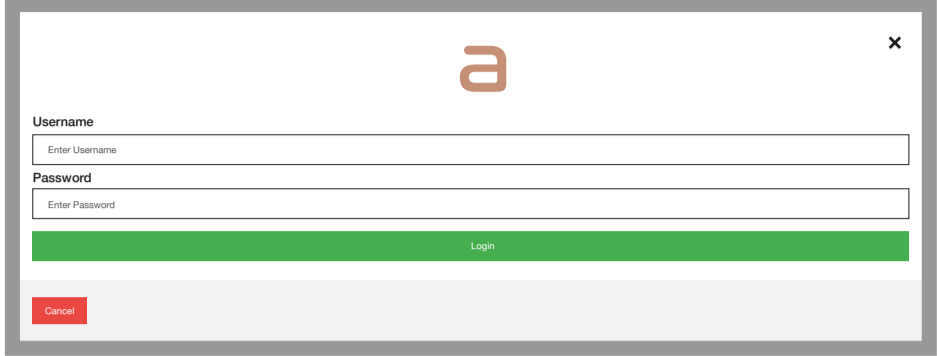
ANDOPEN is not responsible for damage due to incorrect installation.



Come into Device Setup

To set the operating condition of each A.bc1, please access setup page of A.bc1 (Fig.1) by using Ethernet (wired) or WIFI (wireless) connection.
This connection was tested on the web browser Edge, Chrome, Safari and Mozilla.

- Default IP address(Ethernet): 192.168.30.1
- * To use wired connection, the host system should be in the same network.
(ex. Using C-Class Netmask, host system IP address could be 192.168.30.X)
- Default IP address(WIFI): 192.168.20.1
- * To access A.bc1 through WIFI, please find SSID starting with "A.bc1_" and connect.
(ex. A.bc1_6c:21:a2:fd:ef:52)
- * The string after "A.bc1_" is the WIFI MAC address of A.bc1.
- Administrator Account Information
 - User Name : admin
 - Password : admin
 - * User Name and Password are case sensitive.



The screenshot shows a web browser window with a white background and a small 'x' icon in the top right corner. At the top center is a stylized orange 'a' logo. Below the logo are two input fields: 'Username' with a placeholder 'Enter Username' and 'Password' with a placeholder 'Enter Password'. A green 'Login' button is positioned below the password field. At the bottom left, there is a red 'Cancel' button.

(Fig.1)

Note:

Even if connection safety warning appears, continue to proceed connection to A.bc1 setup page.
For the purpose of enhancing security, it is not recommended to use WIFI as station mode.
For more information about set up device, please visit www.andopen.co.kr and refer to the A.bc1/A.bc-TS1 USER GUIDE

AuténID
BIOMETRICS CONVERGED SOLUTION

ANDOPEN Co., Ltd. All rights reserved, ANDOPEN, ANDOPEN logo, AuténID are trademarks or registered trademarks of ANDOPEN Co., Ltd. in Korea and /or other countries.



 **YouTube** <http://www.youtube.com/andopen>

ANDOPEN
BIOMETRIC SOLUTION PROVIDER

ANDOPEN Co., Ltd. 3F, 309, 10, Seongnamdaero 43, Bundang gu, Seongnam-si, Gyeonggi do, Korea.
TEL +82-31-608-0010 FAX +82-504-374-9019

Contact information for AIDFACE Access Control Solutions
contact@andopen.co.kr

ANDOPEN
www.andopen.co.kr

